

# Econo Classic™

Plasticade's® Quick-Change™ Feature

## A Durable A-Frame at an Economy Price

- All plastic sign stand for 24" x 36" signs
- Our Quick-Change™ feature allows you to change signs in seconds. Sign blanks easily slide in and out and stay securely in place
- Two signs per frame. Accepts sign blanks made of Coroplast™, foamboard, acrylic, or aluminum
- Attractive and strong - no rust, no splinters, no maintenance
- Molded handle for easy portability



Slide down through the tabs on the sides of the frame



Push up into top slot



Push down into bottom tray, sign stays securely in place

Holds 24" x 36" Sign Blanks

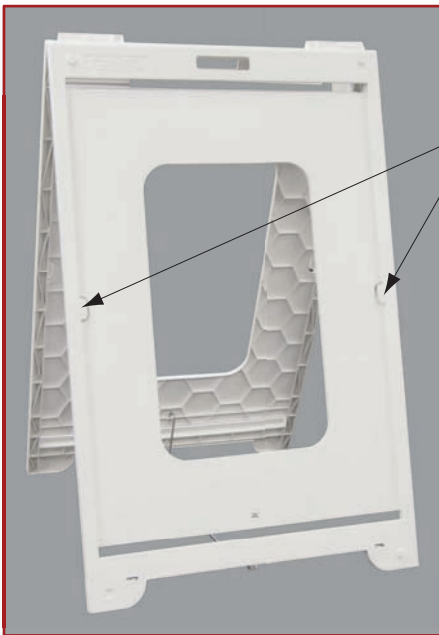
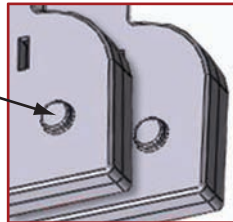
# Econo Classic™

Sign Blank Size: 24"W x 36"H  
 Outside Dimensions: 26.5"W x 42.75"H  
 Closed Thickness: 2"  
 Weight: 11.5 lbs.  
 Color: White  
 Can use all sign blanks up to 3/16" thick, including Coroplast™, foamboard, or aluminum.

## •Stack Securely

Molded-in stacking lugs nest into each other, preventing sliding and shifting of stacked sign frames.

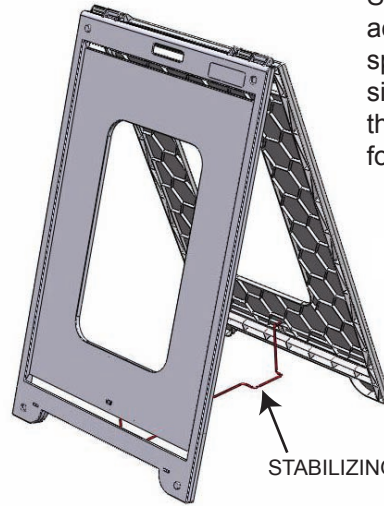
Stacking Lug



Tabs on both sides of the frame secure the sign in the frame

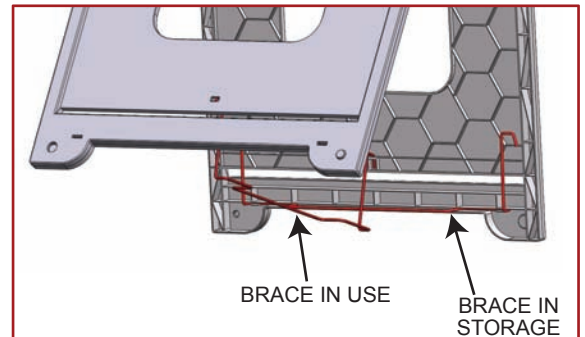
## BUILT-IN STABILIZING AND WEIGH DOWN BRACE

Stabilizing Brace prevents accidental or intentional spreading or closing of sign faces. Just snap into the molded-in receptacle for storage.



STABILIZING BRACE

Use of Stabilizing Brace is Required for Proper Product Performance



BRACE IN USE

BRACE IN STORAGE

The brace rests on the ground when in use, making it easy to use a sandbag or other weight to secure the sign frame.

US Patent 7,302,770

## CUSTOMIZE YOUR SIGN FRAME

Slide in a Message Board...

or a Marker Board



MADE IN THE USA

**PLASTICADE®**

7700 Austin Avenue  
 Skokie, IL 60077  
 phone (800) 772-0355  
 fax (847) 966-8074  
 www.plasticade.com