

PLASTICADE[®] A-FRAME BARRICADE

- Rugged, large sized a-frame plastic barricade
- Perfect for crowd control, road closures, and work zones
- Easy to set up, transport, and store
- Unique I-Beam Board design creates a rigid barricade and protects the sheeting
- Use with one I-Beam Board or two
- Flashing light mounting receptacle on each leg
- Legs can be ballasted with sand



I-Beam Boards have a unique design that adds to the rigidity of the unit. The recessed area for sheeting helps to protect the sheeting from damage

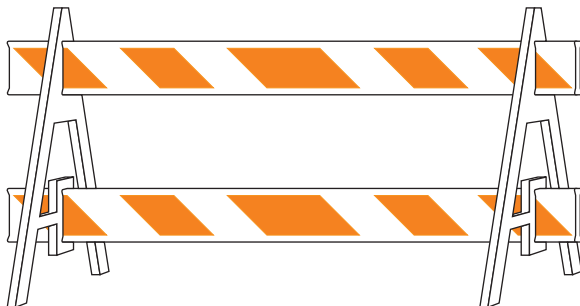
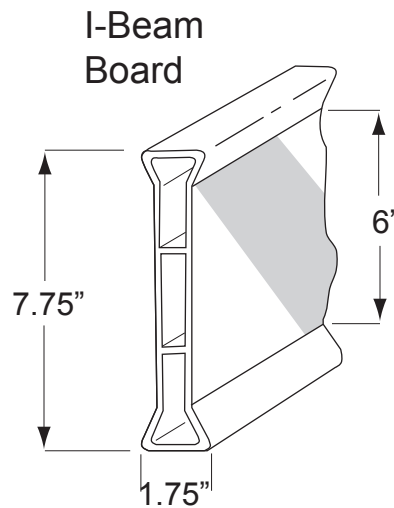
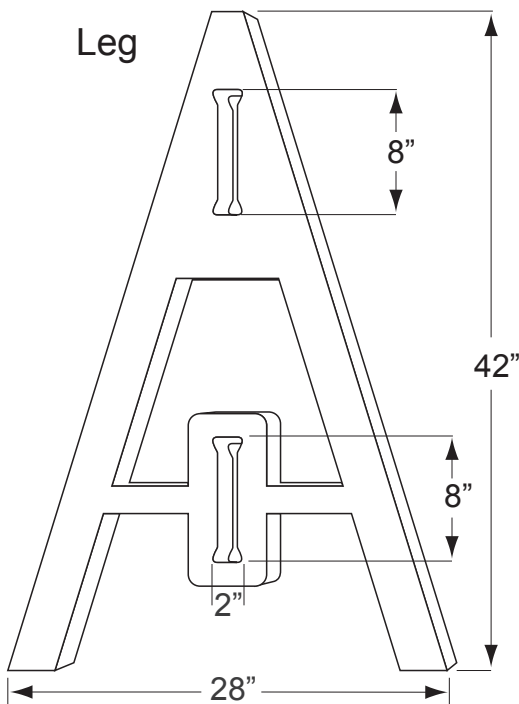
PLASTICADE[®]

www.plasticade.com

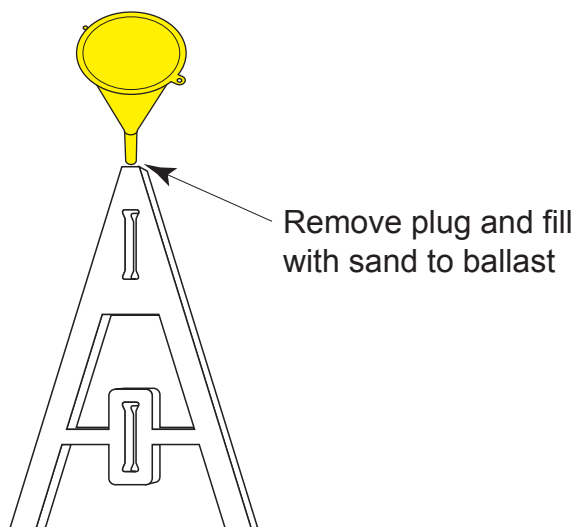
PLASTICADE[®] A-FRAME BARRICADE

Specs

Composition	High Density Polyethylene
Dimensions	42"H x 28"W
Color	White
Weight	5 lbs.
Available I-Beam Board Lengths	6' 8' 10'



Plasticade A-Frame Barricades are sold as sets or as component parts. Each set includes two legs and one or two I-beam boards.



PLASTICADE[®]

7700 N. Austin Avenue
Skokie, IL 60077
phone (800) 772-0355
fax (847) 966-8074

www.plasticade.com

MADE IN THE USA