

SAFETYCADE®

Collapsible plastic
barricade that's easy to
set up and store



- Stack more on your truck!
- units use 65% less space than drums
- Quick set-up
- spring loaded feet quickly release for placement
- Lies flat when hit
- Replaceable sheeting panels
- recessed panels are removable, just clip on new panels
- Anti-skid pads on feet reduce movement in work zones
- 7 lb. feet - filled with silica sand
- optional ballast boots snap on feet adding 20 lbs. each
- Molded-in light receptacle for "D" cell battery lights
- Available in white
- NCHRP-350 Accepted, Meets MUTCD Standards



Use as a Direction Indicator Barricade

Use the Safetycade® in the taper, paired with the Verticade™ in tangent areas for improved flow and safety in work zones.



unit collapses when hit

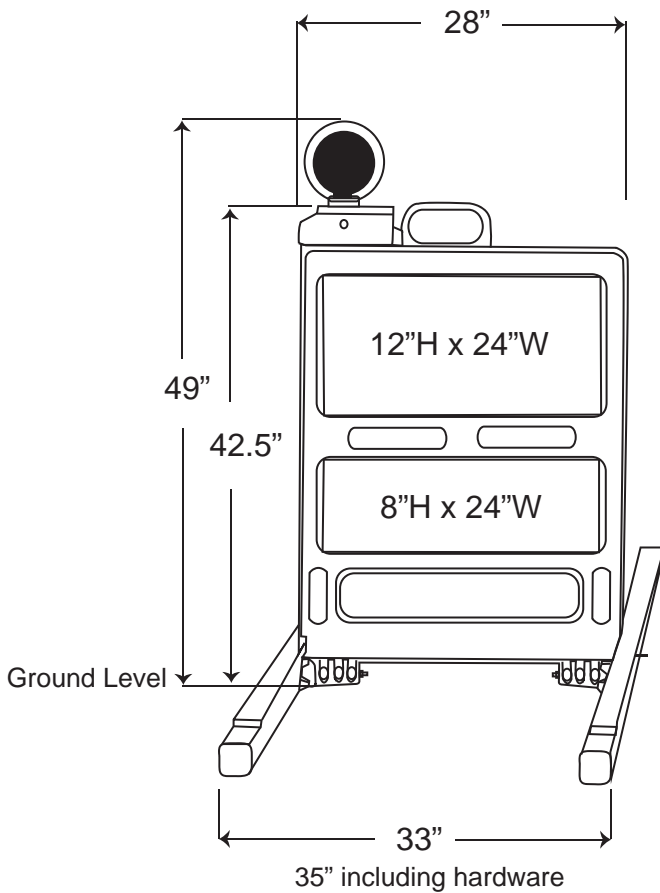


lies flat, reducing damage
to unit and vehicle

PLASTICADE®

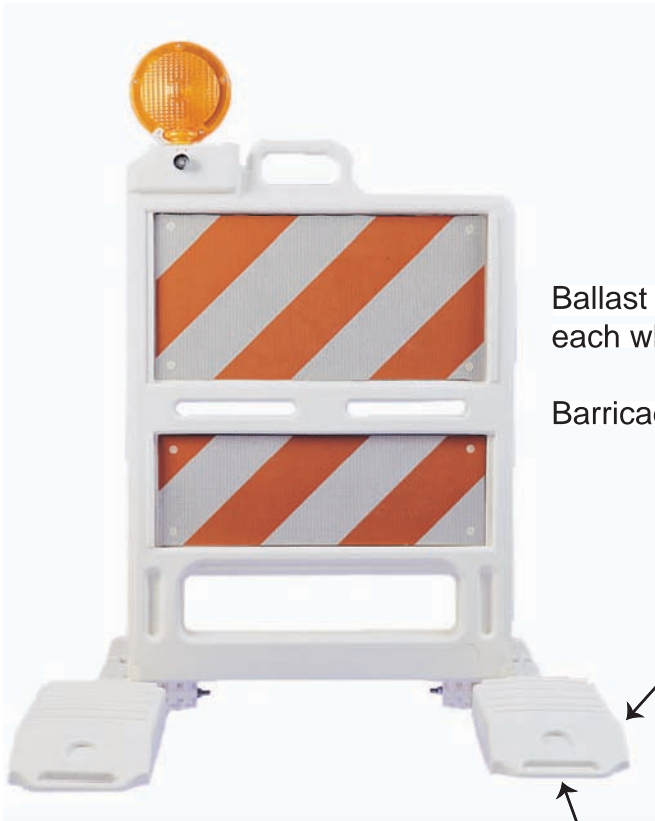
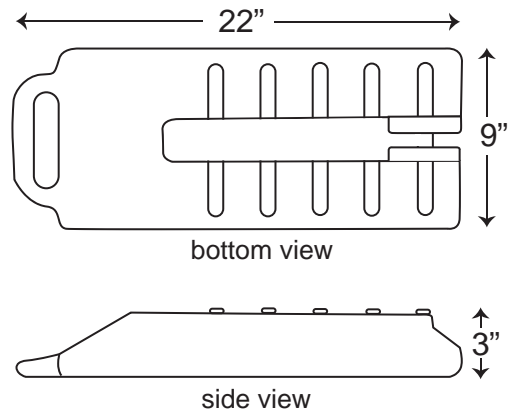
www.plasticade.com

SAFETYCADE®



| Specs | |
|--------------------------|---|
| Composition | High Density Polyethylene |
| Dimensions | 42.5"H x 33"W x 3"D |
| Colors | White |
| Weight | 29 lbs. |
| Retroreflective Sheeting | Available in all grades in white and orange |

Ballast Boot



Ballast Boots weigh 20 lbs. each when filled with sand.

Barricade with two boots - 69 lbs.



7700 N. Austin Avenue
 Skokie, IL 60077
 phone (800) 772-0355
 fax (847) 966-8074
www.plasticade.com



HDPE

MADE IN THE USA