

SimpoSign®

- Molded-in Handle Assures Easy Portability
- Regressed Sign Faces Protect the Sign Legends
- Small, Molded-in Stacking Lugs Prevent Stacks of Two or More Units From Sliding and Scratching the Sign Faces
- High Density Polyethylene Assures No Rust, Splinters, Discoloration or Maintenance

Economical
Attractive
Durable

IMPORTANT

All retail signs are printed to a few standard dimensions. One is 22" x 28", the dimensions of the regressed sign face of Simpo Sign. (See drawing on back page.) Whether selling signs to Shopping Centers, Universities, Airports, Hospitals, Theme Parks/Fairs, or any retail or commercial venue, you will be glad Simpo Sign accommodates the standard.



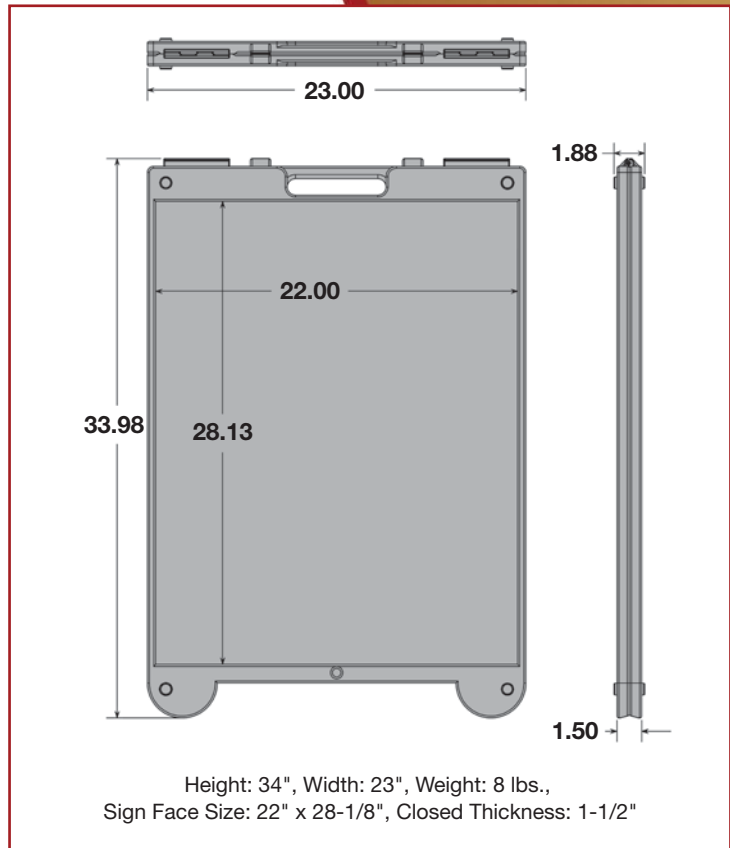
SimpoSign®

MADE IN THE USA
US PATENT 7,302,770

PLASTICADE® PRODUCTS

7700 Austin Avenue
Skokie, IL 60077
phone (800) 772-0355
fax (847) 966-8074
www.plasticade.com

- Molded-in handle assures easy portability.
- Regressed sign faces protect the sign legends.
- High density polyethylene assures no rust, splinters, discoloration or maintenance.
- No rough edges assure easy handling.
- Attractive, durable and inexpensive.
- Display two signs per unit.
- Molded-in 'stacking lugs' nest into each other when units are stacked which prevents sliding and protects the sign from scratches.



High visibility, economical, attractive and very durable! _____

