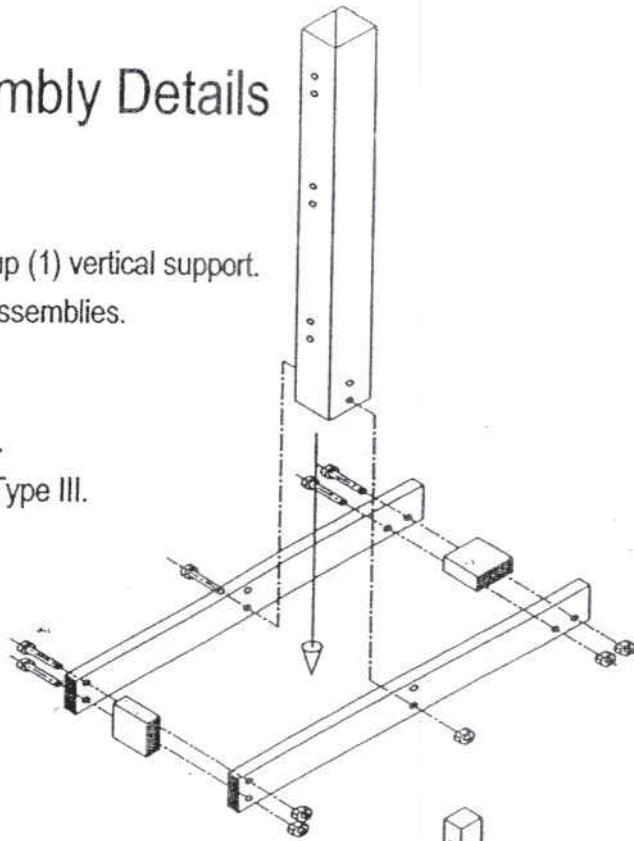


Plasticade TYPE III Assembly Details

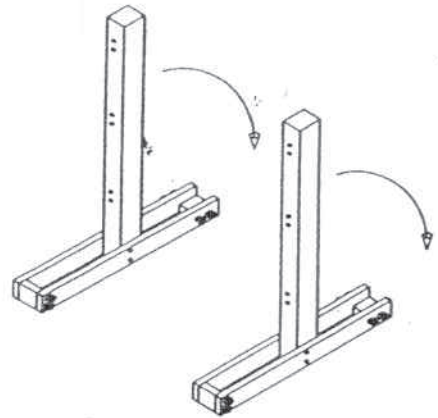
1.) Assemble the following components to make up (1) vertical support.
Each vertical support requires (5) nut & bolt assemblies.

2.) Assemble (2) vertical supports for a 4' Type III.
Assemble (3) vertical supports for a 6' or 8' Type III.

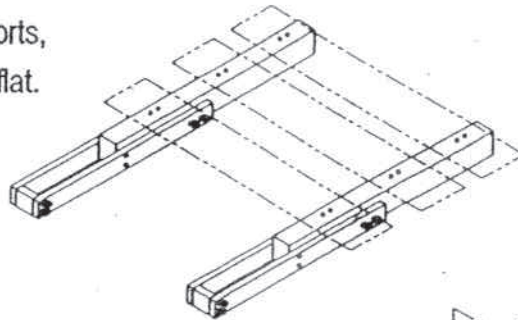


3.) Lay vertical members down and spaced apart, as shown.

4.) Space apart (2) supports for a 4' Type III board and
(3) supports for a 6' or 8' Type III board.



5.) Secure the boards to the vertical supports,
while the vertical supports are laying flat.



6.) After securing the boards, raise and secure the vertical
supports with a sixth nut & bolt assembly in the upright
position. To lower the vertical upright, simply pull the
sixth nut & bolt assembly & lower.

